

OX MOTOR

BUILD FEATURES:

- Twin bearing setup (Front and Back)
- Heavy duty brush pack, for those that want to over-volt
- Dedicated mounting holes on the rear of the motor end plate for your motor solenoid
- Flat rear cover, allowing mounting of the motor solenoid easier
- High quality, robust commutator and brush setup
- More efficient design, transferring the power with reduced losses

OVERVOLTING:

This is a term used more frequently over the last few years, and many of the competition teams now do this to their motors and winch setup. This is where you apply 24vDC power to a 12vDC rated motor. This is known as "Overvolting".

The OX Motor can be "Overvolted", but it comes with warnings, as shown below:

The manufacture does not recommend doing this, as it puts extra load and speed into the motor it was not designed for.

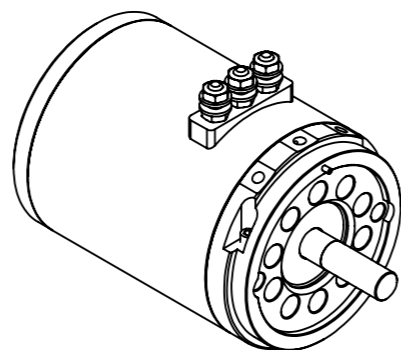
"Overvolted" motors are not covered by any warranty, claims for motor damage can be investigated but not supported in competition use.

"Overvolted" motors must be maintained and serviced regularly, at least every 3 Events.

"Overvolted" motors must not be run continuously under no load conditions (winding rope in or our), the longer they are run the faster they will go, too fast and they can go above 20,000rpm and mechanical damage will occur at this speed. When little or no load is on the motors, always operate the motors in short bursts. Bursts can be 10-15m or rope a time onto the drum.

"Overvolted" motors still draw the same AMPS as non-overvolted motors. 12v on 12v = 24v on 12v, some people think the AMPS are halved, they are not. Your winch can draw 900A in an extreme pull with a twin motor setup. So be warned, make sure all the electrical elements in your winch system can support and cope with this level of AMP draw.

- Voltage: 12v
- Power: 7hp
- Torque: 16Nm
- No Load Speed: 11,800rpm
- Max Amp Draw: 438A
- Real World Testing Results



TYPE

OX MOTOR

DESCRIPTION:

ULTIMATE COMPETITION MOTOR

Telephone: +44 (0)1460 67744
Email: sales@red-winch.com

RED Winches

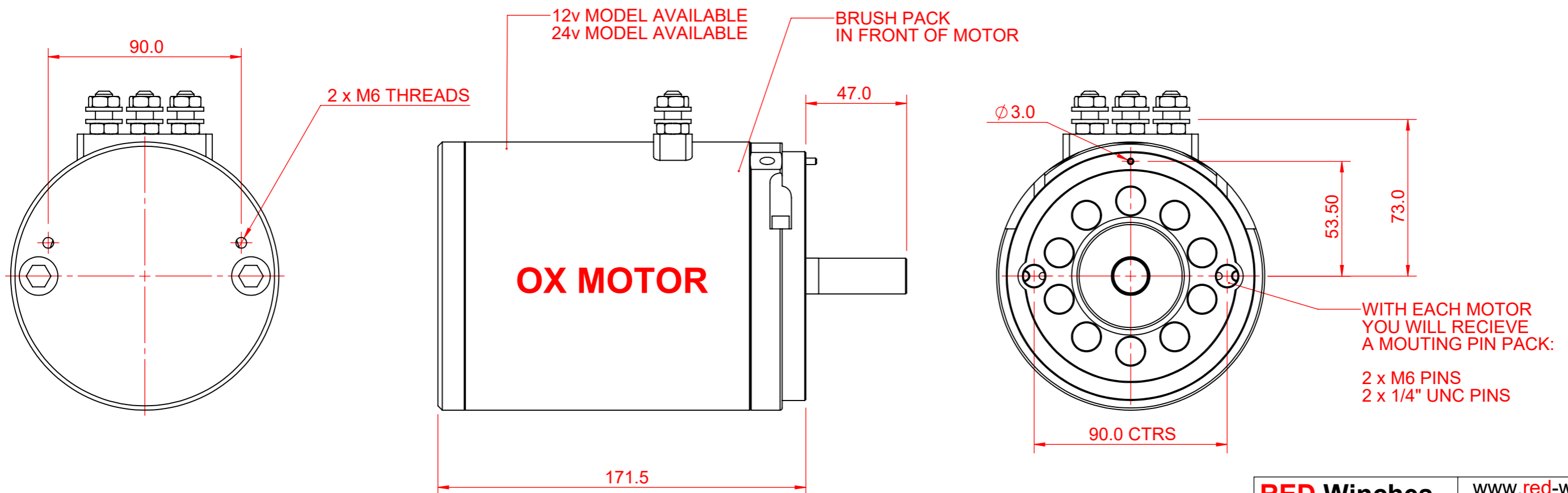
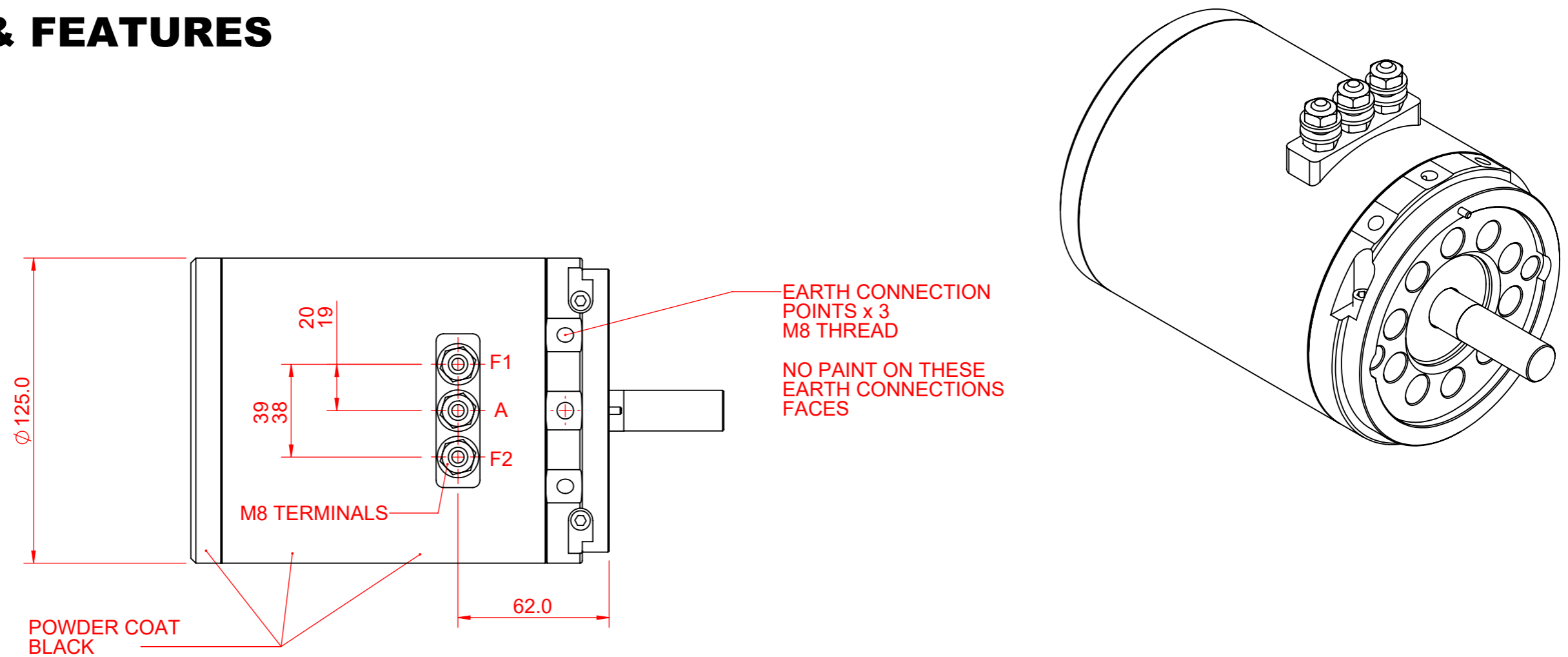
www.red-winch.com
ULTIMATE PERFORMANCE WINCH

DRAWING NUMBER:
WORKSHOP MANUAL

SCALE: 1:4
REVISION: **A**
SHT 1 OF 4

Drawing not to be reproduced or distributed in any format or method without specific permission from Redstart/Design.

OX MOTOR DIMENSIONS & FEATURES



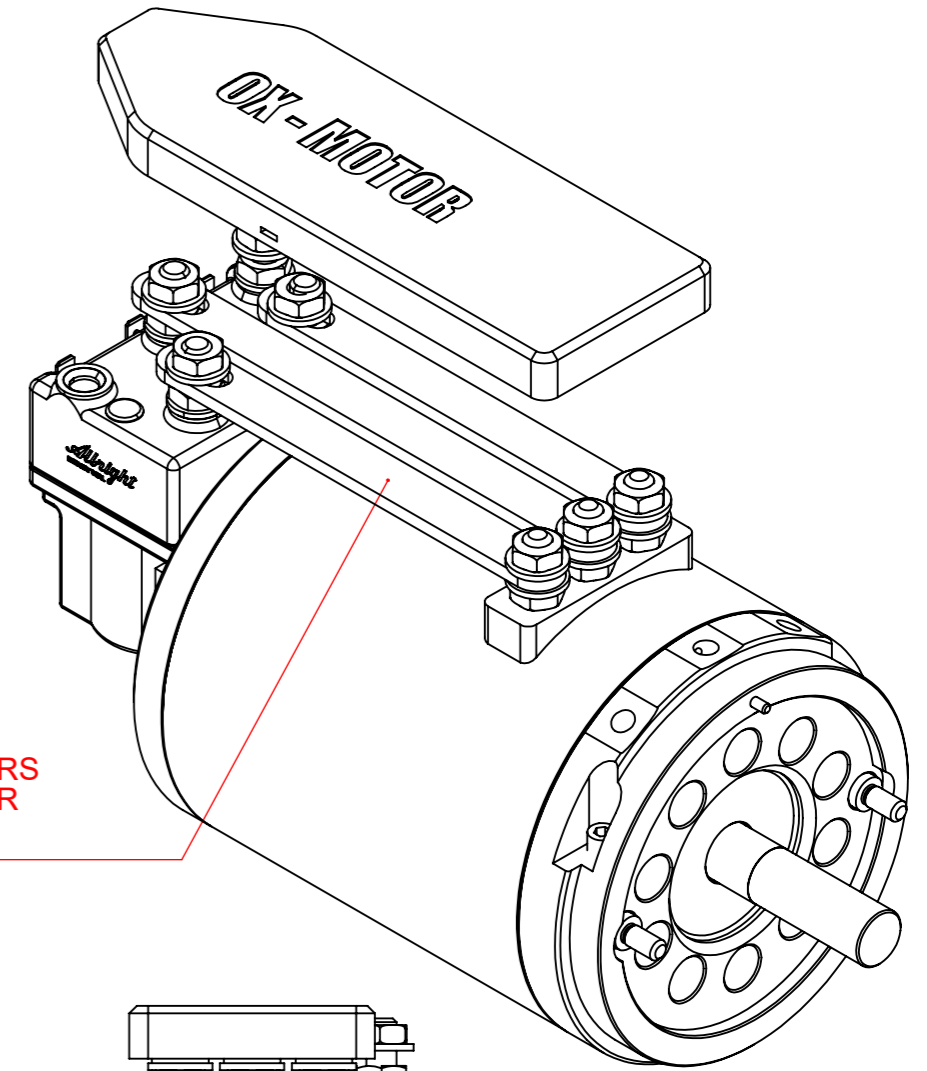
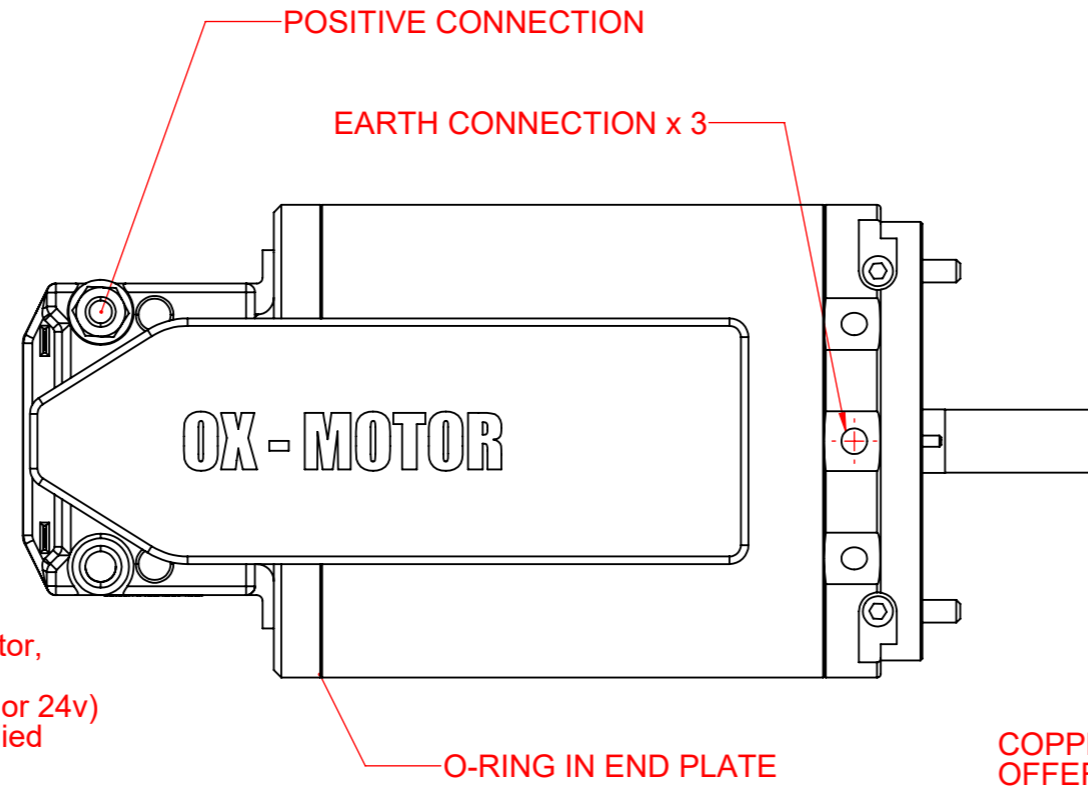
TITLE **OX MOTOR**
THE NEW COMPETITION WINCH MOTOR, 7HP, QUICK RELEASE SYSTEM

Telephone: +44 (0)1460 67744
 Email: sales@red-winches.com

RED Winches www.red-winches.com
 ULTIMATE PERFORMANCE PRODUCTS
 DRAWING NUMBER: **MANUAL - OX MOTOR**
 SCALE: **1:2** SHT 2 OF 4
Drawing not to be reproduced or distributed in any format or method without specific permission from Redstart/Design.

**OX MOTOR
OPTIONAL EXTRAS FITTED:**

- **ALBRIGHT MOTOR SOLENOID**
- **COPPER BUS BARS**
- **BUS BAR COVER**

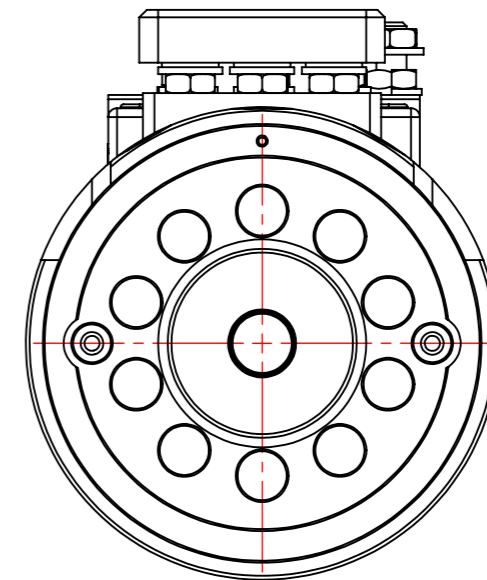
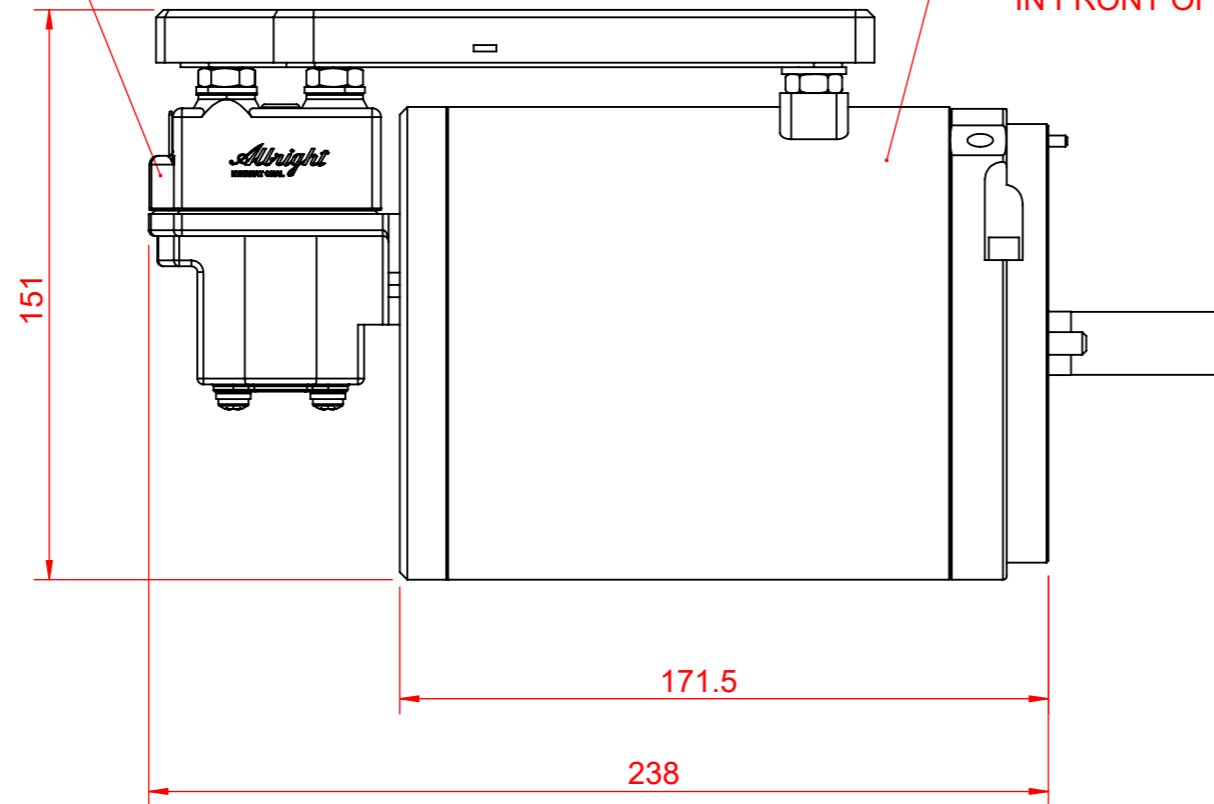
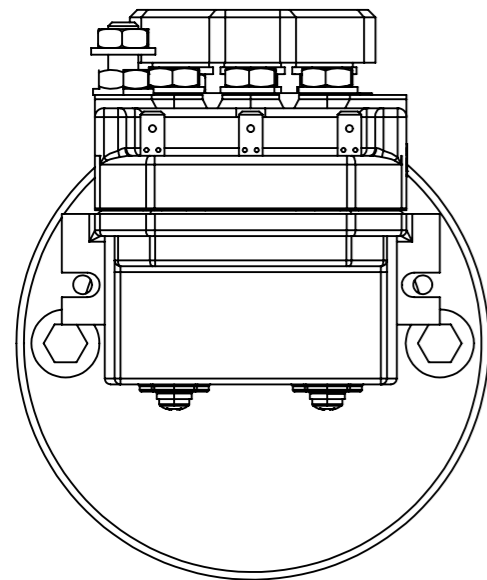


If you are after a motor control solenoid to control this motor, we also sell them, manufactured by Albright. The control voltage selection of an Albright solenoid (12v or 24v) is for the directional control voltage that will be used / applied to the 3 spade terminals on the front of the Albright.

The Albright power terminals on top can transmit 12v & 24v through them as standard.

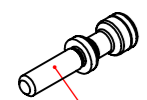
O-RING IN END PLATE

BRUSH PACK IN FRONT OF MOTOR



OX MOTOR PARTS LIST

ITEM NO.	PART / DRG NUMBER	DESCRIPTION	Default/Q TY.
1	RWM-MD-01B	MOTOR END PLATE - DRIVE SHAFT	1
2	RWM-MD-02	MOTOR TUBE BODY	1
3	RWM-MD-03	MOTOR END CAP	1
4	RWM-MD-04	OX MOTOR SPINDLE	1
5	RWM-MD-07-1	MOTOR BOLT	2
6	RWM-MD-08	TERMINAL STRIP	1
7	RWM-MD-09	ELECTRICAL M8 STUD CONNECTION	3
8	RWM-MD-10	ELECTRIC MOTOR PULL SHAFT	2
9	RWM-MD-11	LOCATION PIN	1
10	RWM-MD-12	SHORT BUZZ BAR - OX MOTOR	2
11	RWM-MD-13	LONG BUZZ BAR - OX MOTOR	1
12	RWM-MD-15	BUS BAR COVER - OX MOTOR	1
13	RWM-MD-17	BRUSH PACK	1
14	M8	HEXAGON FULL NUT	10
15	M8 FORM A	WASHER	10
16	DC0088-1000P	ALBRIGHT SOLENOID	1
17	6203	THK DEEP GROOVE BALL BEARING, DOUBLE SEAL	1
18	6202	THK DEEP GROOVE BALL BEARING, DOUBLE SEAL	1
19	M8 x 20	M8 x 20 GRUB SCREW	2



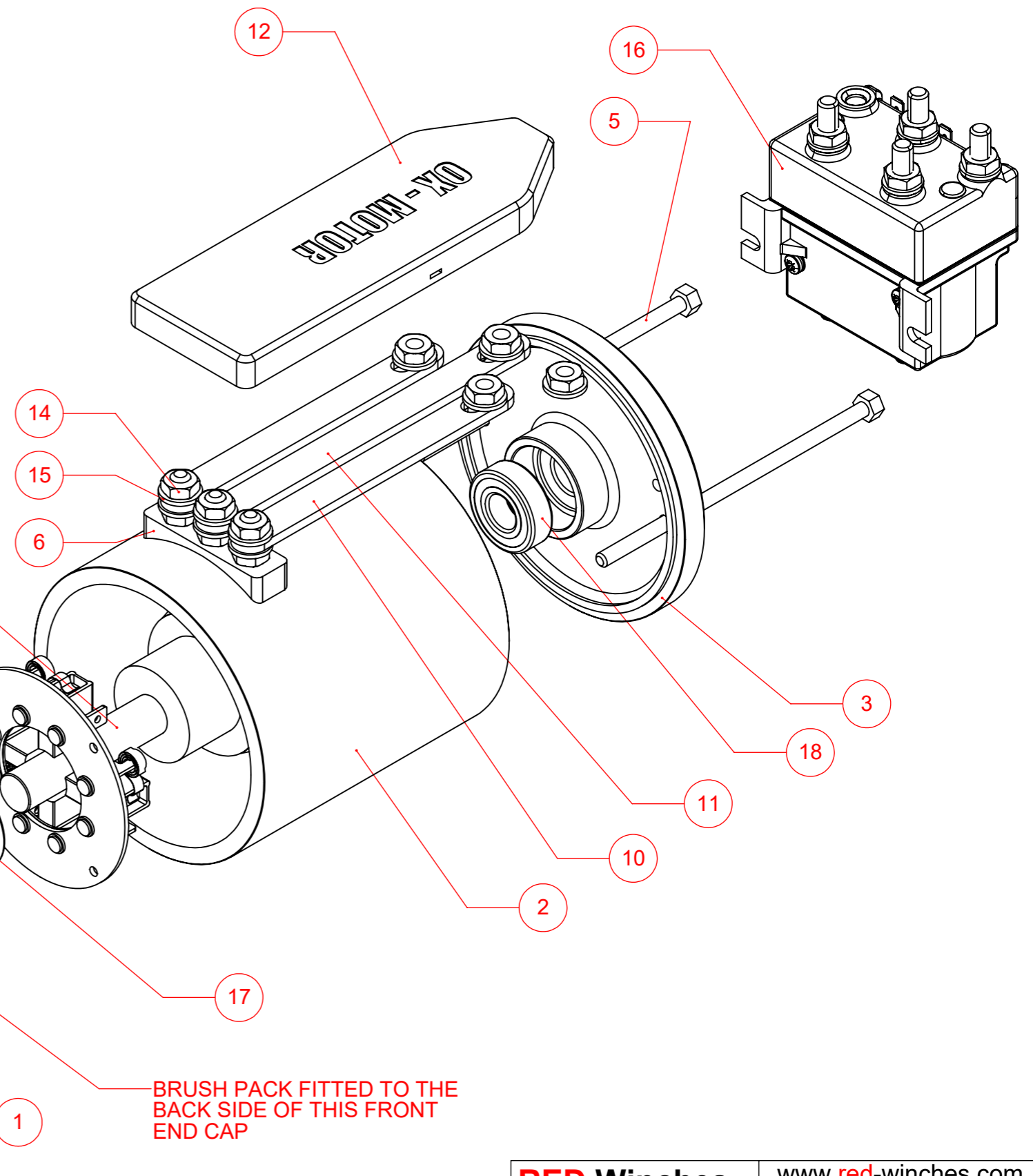
OLD STYLE WARN 8274 TOP HOUSING REQUIRES 2 x PINS WITH LONGER THREAD PART No. RWM-MD-10-2

ALUMINIUM END CAP

CLAMP PINS SREW INTO GEARBOX HOSUING OF WINCH

WITH EACH MOTOR YOU WILL RECIEVE A PAIR OF MOUTING PINS FOR YOUR WINCH, PLEASE SELECT CORRECT THREAD TYPE WHEN ORDERING:

2 x M6 PINS
2 x 1/4" UNC PINS



BRUSH PACK FITTED TO THE BACK SIDE OF THIS FRONT END CAP

TITLE OX MOTOR
THE NEW COMPETITION WINCH MOTOR, 7HP, QUICK RELEASE SYSTEM

Telephone: +44 (0)1460 67744
Email: sales@red-winches.com

RED Winches	www.red-winches.com
ULTIMATE PERFORMANCE PRODUCTS	
DRAWING NUMBER: MANUAL - OX MOTOR	SCALE: SHT 4 1:2 OF 4
Drawing not to be reproduced or distributed in any format or method without specific permission from Redstart/Design.	