

## LYNX MOTOR

### BUILD FEATURES:

- Heavy duty brush pack, for those that want to over-volt
- Dedicated mounting holes on the rear of the motor end plate for your motor solenoid
- Flat rear cover, allowing mounting of the motor solenoid easier
- High quality, robust commutator and brush setup

### OVERVOLTING:

This is a term used more frequently over the last few years, and many of the competition teams now do this to their motors and winch setup. This is where you apply 24vDC power to a 12vDC rated motor. This is known as "Overvolting".

The OX Motor can be "Overvolted", but it comes with warnings, as shown below:

The manufacture does not recommend doing this, as it puts extra load and speed into the motor it was not designed for.

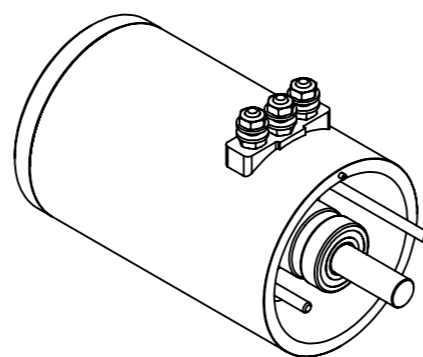
"Overvolted" motors are not covered by any warranty, claims for motor damage can be investigated but not supported in competition use.

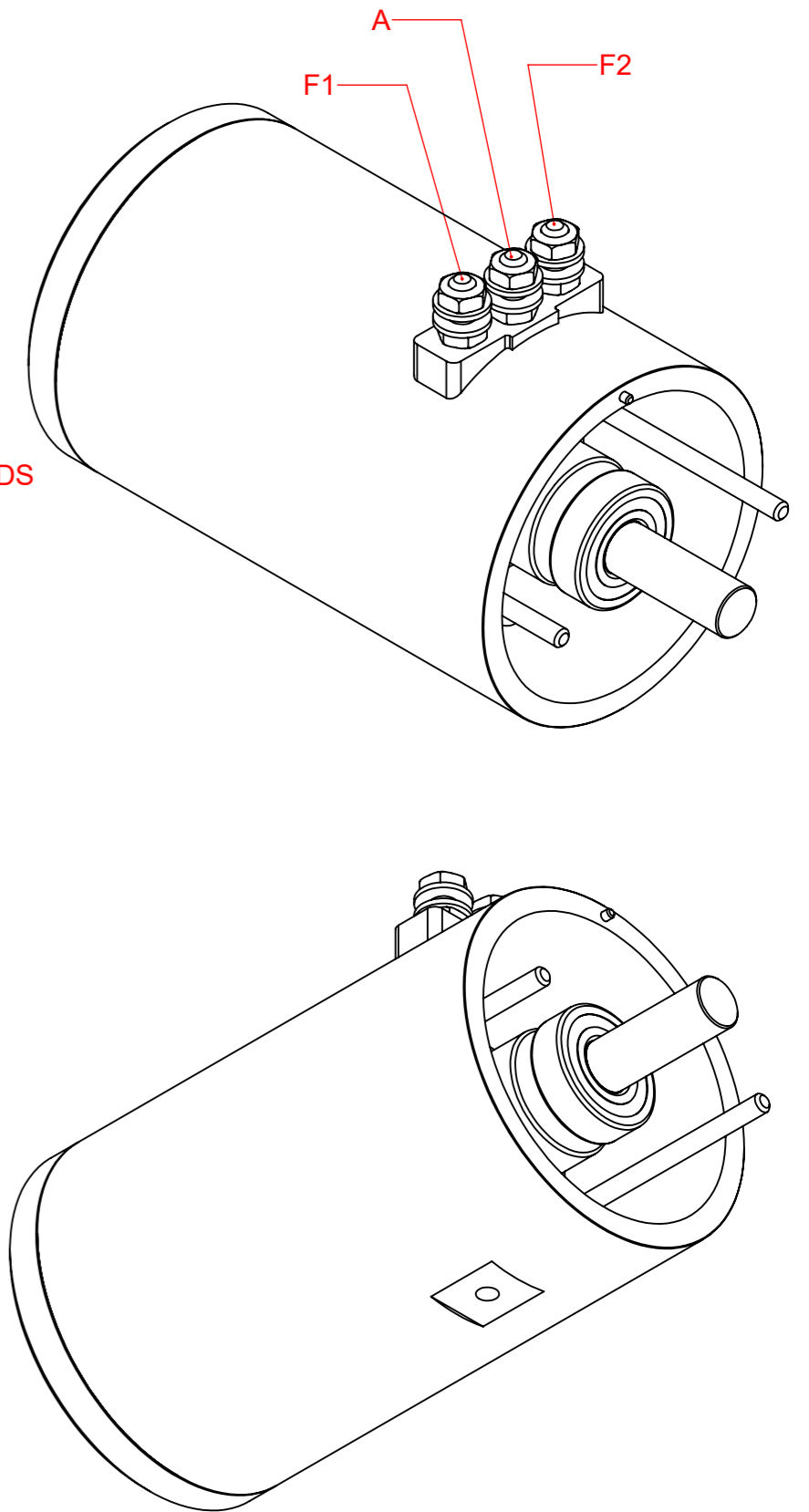
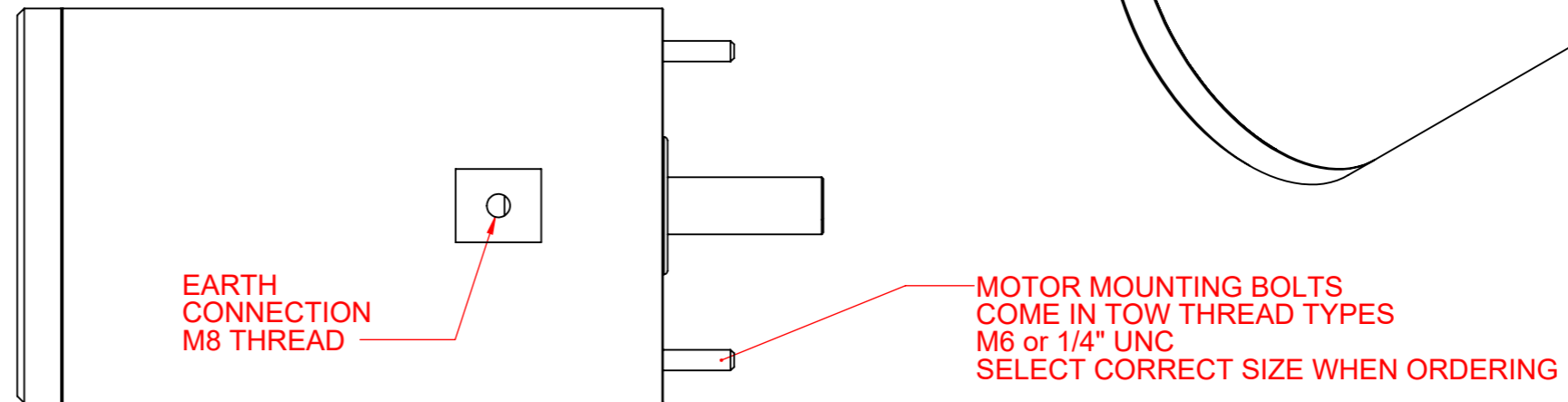
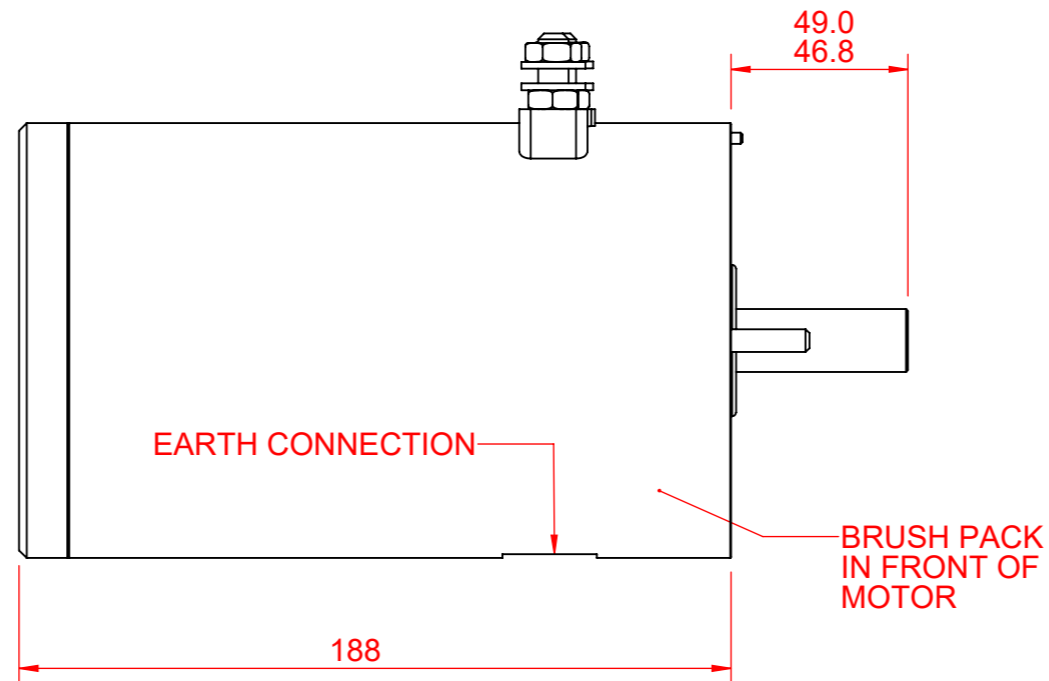
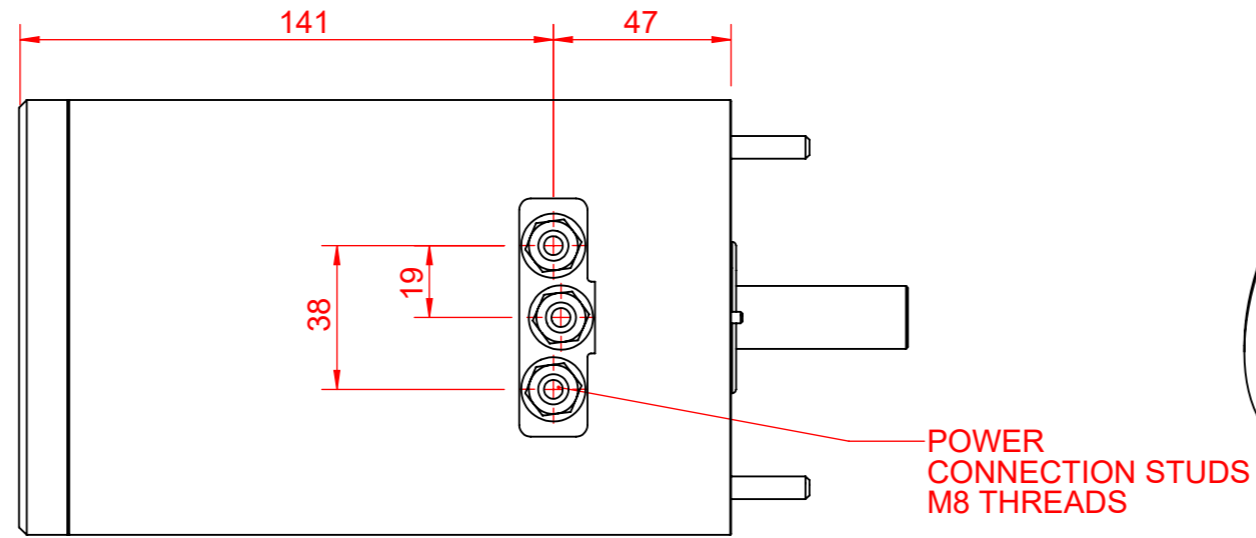
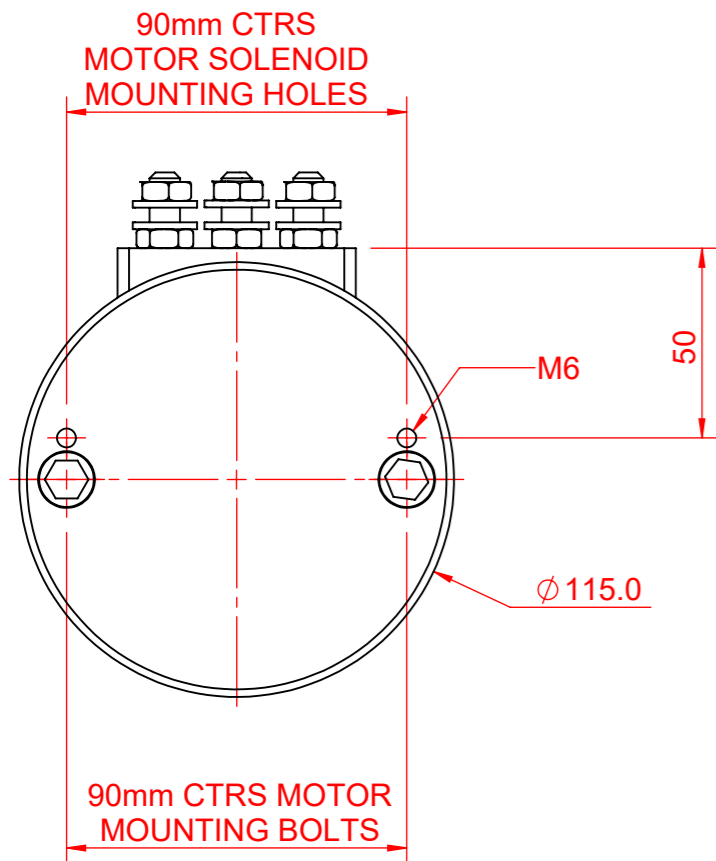
"Overvolted" motors must be maintained and serviced regularly, at least every 3 Events.

"Overvolted" motors must not be run continuously under no load conditions (winding rope in or our), the longer they are run the faster they will go, too fast and they can go above 20,000rpm and mechanical damage will occur at this speed. When little or no load is on the motors, always operate the motors in short bursts. Bursts can be 10-15m or rope a time onto the drum.

"Overvolted" motors still draw the same AMPS as non-overvolted motors. 12v on 12v = 24v on 12v, some people think the AMPS are halved, they are not. Your winch can draw 900A in an extreme pull with a twin motor setup. So be warned, make sure all the electrical elements in your winch system can support and cope with this level of AMP draw.

- Voltage: 12v
- Power: 6hp
- Torque: 14Nm
- No Load Speed: 11,800rpm
- Max Amp Draw: 438A
- Real World Testing Results





TITLE

**LYNX MOTOR**

Telephone: +44 (0)1460 67744  
 Email: sales@red-winches.com

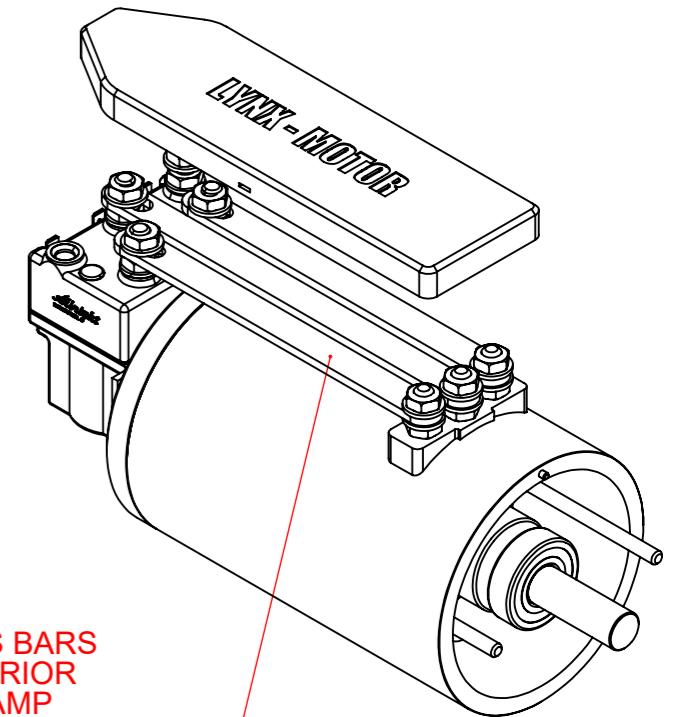
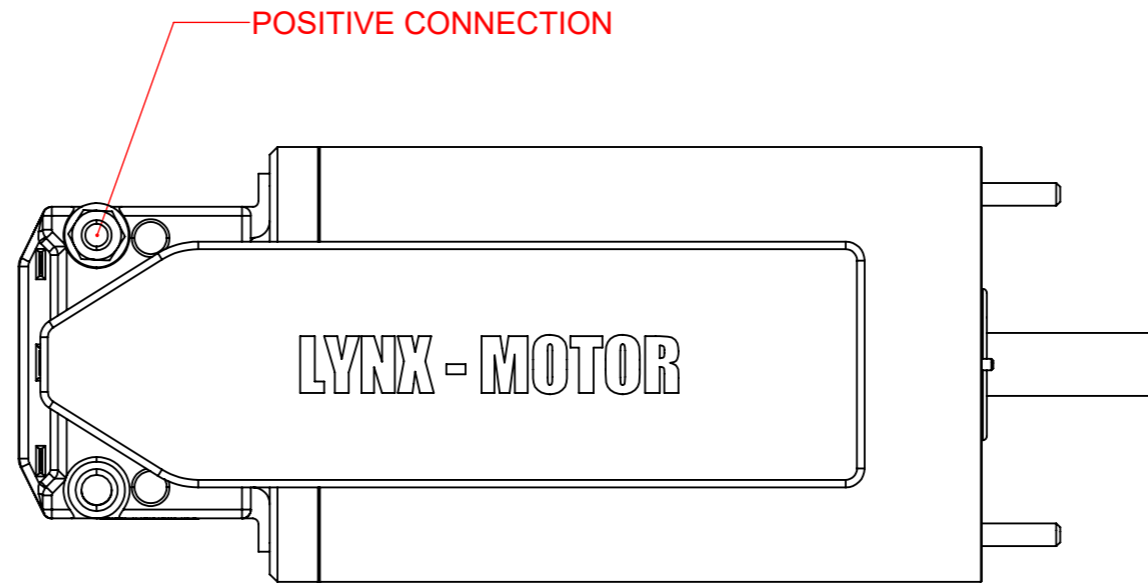
<b>RED Winches</b>	www.red-winches.com	
	ULTIMATE PERFORMANCE PRODUCTS	
DRAWING NUMBER:	MANUAL - LYNX MOTOR	SCALE: 1:2
Drawing not to be reproduced or distributed in any format or method without specific permission from Redstart/Design.		SHT 2 OF 4

**OX MOTOR  
OPTIONAL EXTRAS FITTED:**

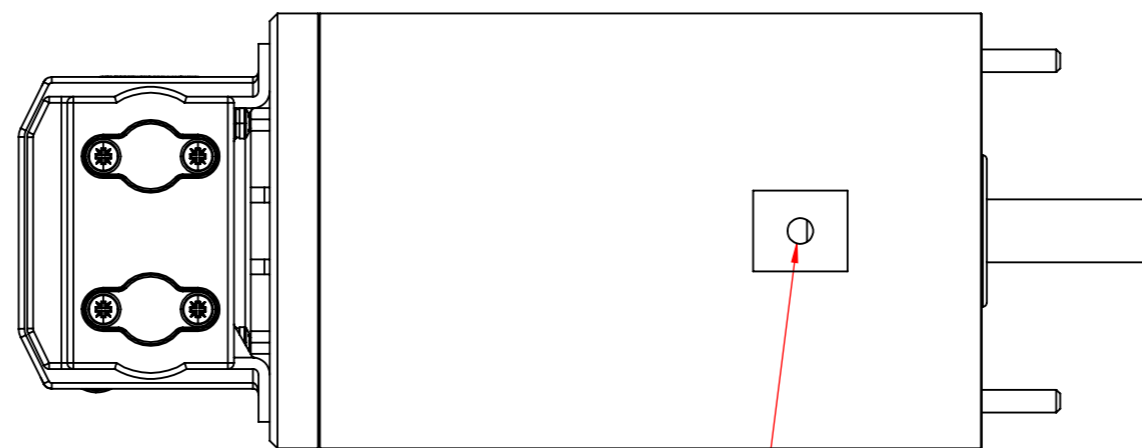
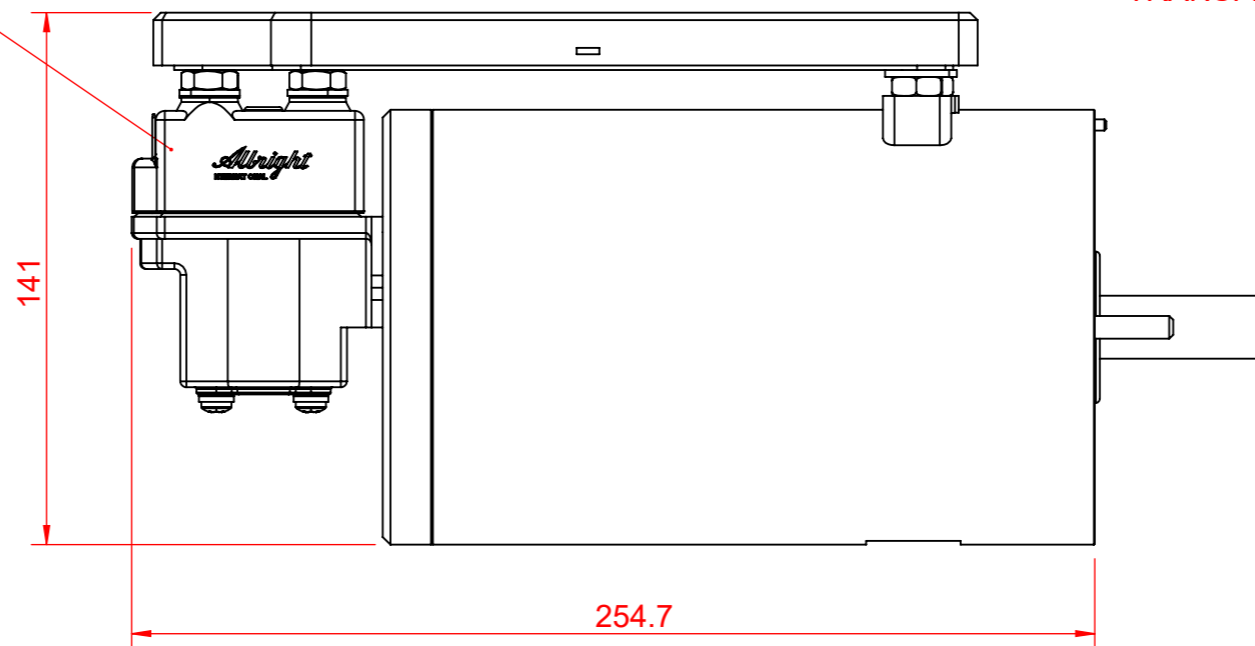
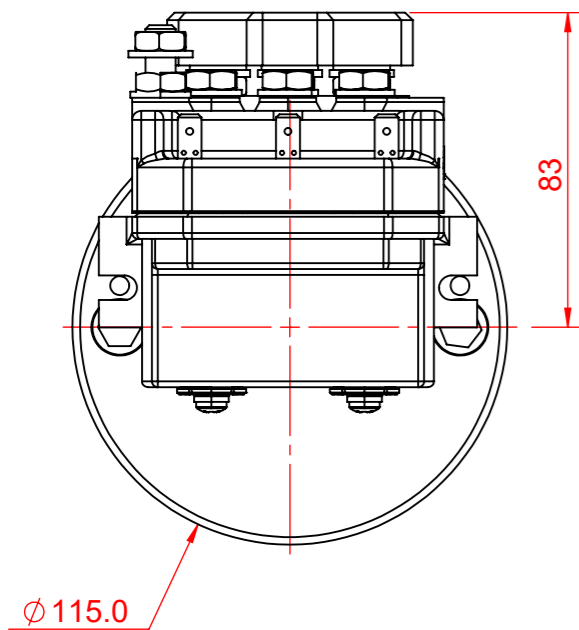
- **ALBRIGHT MOTOR SOLENOID**
- **COPPER BUS BARS**
- **BUS BAR COVER**

If you are after a motor control solenoid to control this motor, we also sell them, manufactured by Albright. The control voltage selection of an Albright solenoid (12v or 24v) is for the directional control voltage that will be used / applied to the 3 spade terminals on the front of the Albright.

The Albright power terminals on top can transmit 12v & 24v through them as standard.



COPPER BUS BARS  
OFFER SUPERIOR  
VOLTAGE & AMP  
TRANSFER



EARTH CONNECTION

TITLE

**LYNX MOTOR**

Telephone: +44 (0)1460 67744  
Email: sales@red-winches.com

**RED Winches**

www.red-winches.com  
ULTIMATE PERFORMANCE PRODUCTS

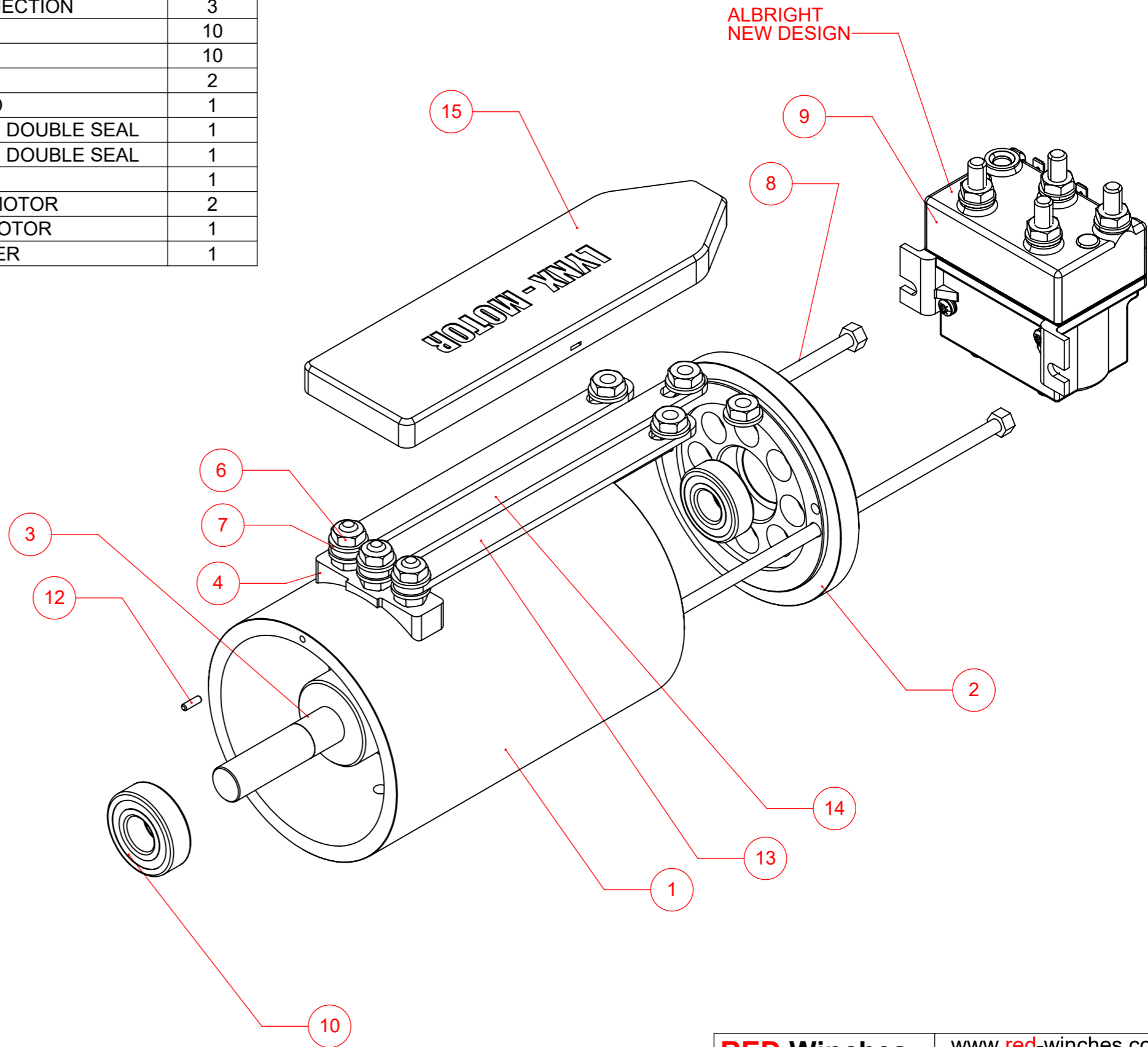
DRAWING NUMBER:  
MANUAL - LYNX MOTOR

SCALE  
1:2  
SHT 3  
OF 4

Drawing not to be reproduced or distributed in any format or method without specific permission from Redstart/Design.

# LYNX MOTOR PARTS LIST

ITEM NO.	PART / DRG NUMBER	DESCRIPTION	Default/Q TY.
1	RWM-MD-02-2	MOTOR TUBE BODY	1
2	RWM-MD-03-2	MOTOR END CAP	1
3	RWM-MD-04-2	LYNX MOTOR	1
4	RWM-MD-08-2	LYNX MOTOR	1
5	RWM-MD-09	ELECTRICAL M8 STUD CONNECTION	3
6	M8	HEXAGON FULL NUT	10
7	M8 FORM A	WASHER	10
8	RWM-MD-07	MOTOR BOLT	2
9	DC0088-1000P	ALBRIGHT SOLENOID	1
10	6203	THK DEEP GROOVE BALL BEARING, DOUBLE SEAL	1
11	6202	THK DEEP GROOVE BALL BEARING, DOUBLE SEAL	1
12	RWM-MD-11	LOCATION PIN	1
13	RWM-MD-12-2	SHORT BUZZ BAR - LYNX MOTOR	2
14	RWM-MD-13-2	LONG BUZZ BAR - LYNX MOTOR	1
15	RWM-MD-15-2	MOTOR BUS BAR COVER	1



TITLE

**LYNX MOTOR**

Telephone: +44 (0)1460 67744  
Email: sales@red-winches.com

**RED Winches**

www.red-winches.com  
ULTIMATE PERFORMANCE WINCH

DRAWING NUMBER:  
**WORKSHOP MANUAL**

SCALE: 1:2  
REVISION: **A**  
SHT 4 OF 4

Drawing not to be reproduced or distributed in any format or method without specific permission from Redstart/Design.