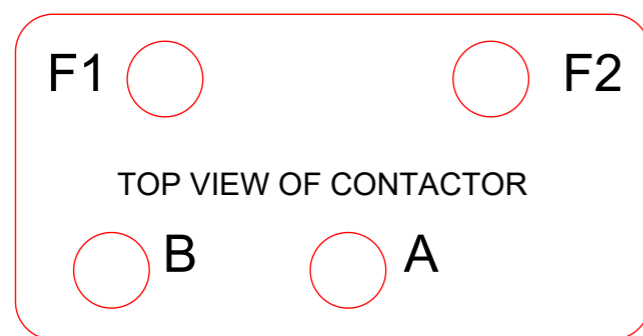


SCHEMATIC DIAGRAM OF DC SERIES MOTOR WITH DC88P / DC1000P / DC182P CONTACTORS



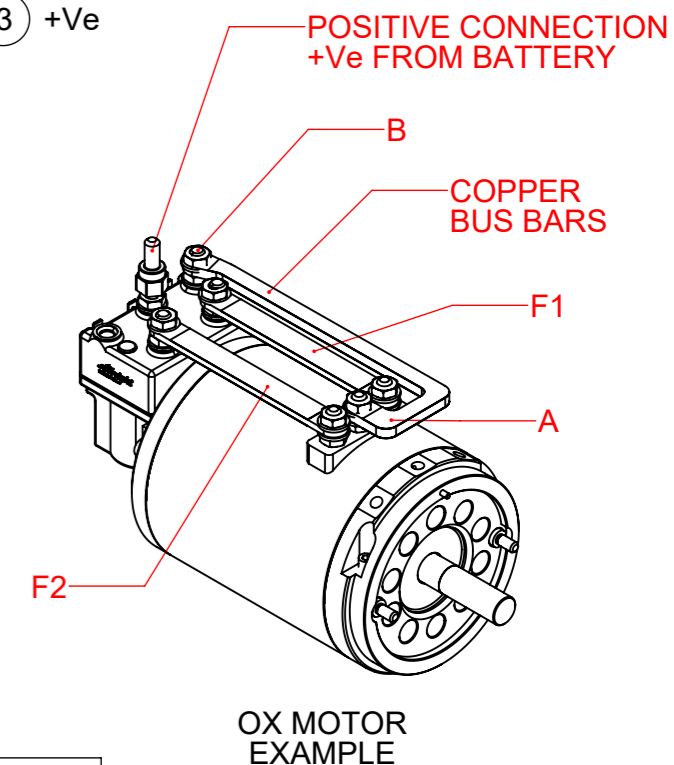
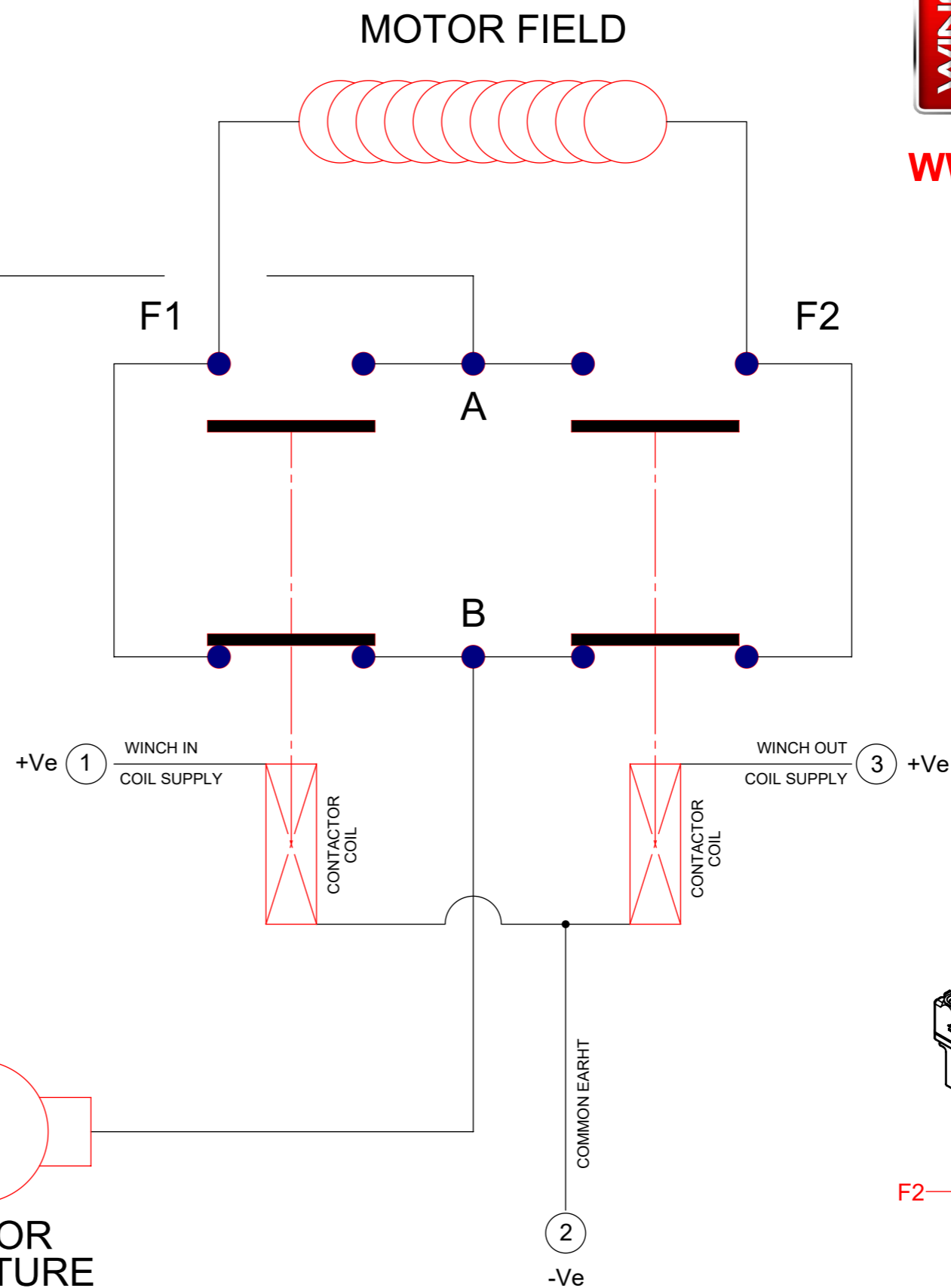
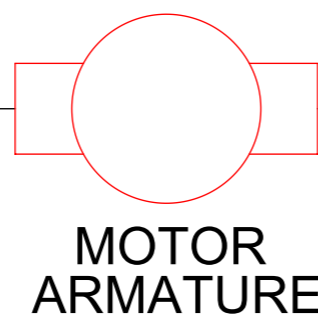
WWW.RED-WINCHES.COM

+Ve ● POSITIVE FEED FROM YOUR BATTERY
 CONNECTED TO POST A FEEDS POST B WHEN WINCHING IN OR OUT



1 WINCH IN
 2 COMMON EARTH
 3 WINCH OUT

-Ve ● NEGATIVE CONNECTION FROM YOUR BATTERY
 THIS IS THE CABLE CONNECTED TO THE BODY OF YOUR MOTOR



IT IS THE MANUFACTURERS RECOMMENDATION, THE BATTERY (+Ve) POWER CONNECTION USED ON TERMINALS A & B CANNOT BE REVERSED WHEN USED FOR COMPETITION USE. POWER SHOULD ALWAYS GO TO TERMINAL "A"

COIL TERMINALS 1 & 3 MUST ALSO BE REVERSED IN ORDER TO MAINTAIN ORIGINAL DIRECTION OF ROTATION
 WINCH IN / WINCH OUT CONNECTIONS (1 & 3) MIGHT NOT ALWAYS FOLLOW DIAGRAM AND WILL NEED TO BE SWAPPED OVER TO GIVE DESIRED DIRECTION